

M545D



Stepper Motor Driver Specification

Overview

The M545D is a new generation microstep stepper motor driver. Due to the adoption of the advanced bipolar constant-current chopper driver technology, it shows stable operation, provides excellent high torque. Moreover, it significantly reduces the noises and vibration of the operating motor. The M545D has the feature of low-noise, low-vibration and low-heating. The M545D is DC24-50V power supply. It applies to 2-phase hybrid stepper motor under 4.5A current. The M545D has 141 kinds of microsteps. The maximum step number is 51200 steps/rev (microstep is 1/256). The peak operating current ranges from 1.5A to 4.5A., and the output current has 8 stalls. The M545D has automatic semi-flow, motor misconnected, over-voltage, under-voltage, and over-current protection functions.

Applications

It can be applied in a variety of small scale automation equipment and instruments, such as labeling machine, cutting machine, packing machine, drawing machine, engraving machine, CNC machine and so on. It always performs well when it is used in equipment which requires for low-vibration, low-noise, high-precision and high-velocity.

Current selection

Peak	RMS	SW1	SW2	SW3
1.5A	1.07A	on	on	on
2.0A	1.43A	off	on	on
2.4A	1.72A	on	off	on
2.8A	2.00A	off	off	on
3.2A	2.28A	on	on	off
3.7A	2.64A	off	on	off
4.2A	3.00A	on	off	off
4.5A	3.21A	off	off	off

Microstep selection

Pulse/Rev	SW5	SW6	SW7	SW8
400	on	on	on	on
800	on	off	on	on
1600	on	on	off	on
3200	on	off	off	on
6400	on	on	on	off
12800	on	off	on	off
25600	on	on	off	off
51200	on	off	off	off
1000	off	on	on	on
2000	off	off	on	on
5000	off	on	off	on
10000	off	off	off	on
25000	off	on	on	off
50000	off	off	on	off

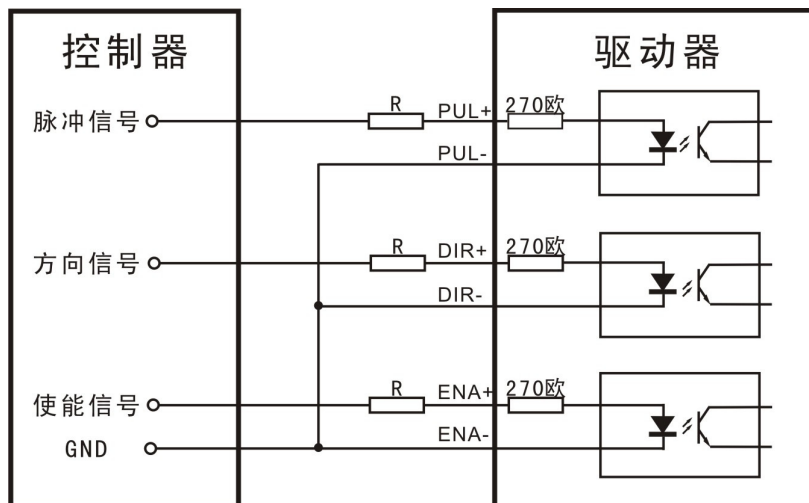
Driver functions descriptions

Driver function	Operating instructions
Output current setting	Users can set the driver output current by SW1-SW3 three switches. The setting of the specific output current, please refer to the instructions of the driver panel figure.
Microstep setting	Users can set the driver Microstep by the SW5-SW8 four switches. The setting of the specific Microstep subdivision, please refer to the instructions of the driver panel figure.

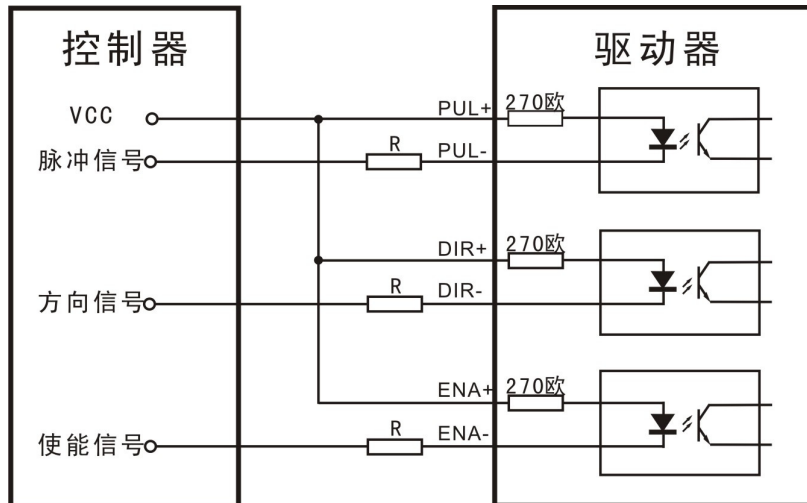
Automatic half current function	Users can set the driver half flow function by SW4. "OFF" indicates the quiescent current is set to half of the dynamic current, that is to say, 0.5 seconds after the cessation of the pulse, current reduce to about half automatically. "ON" indicates the quiescent current and the dynamic current are the same. User can set SW4 to "OFF", in order to reduce motor and driver heating and improve reliability.
Signal interfaces	PUL+ and PUL- are the positive and negative side of control pulse signal; DIR+ and DIR- are the positive and negative side of direction signal; ENA+ and ENA- are the positive and negative side of enable signal.
Motor interfaces	A+ and A- are connected to a phase winding of motor; B+ and B- are connected to another phase winding of motor. If you need to backward, one of the phase windings can be reversed.
Power interfaces	It uses DC power supply. Recommended operating voltage is 24VDC-50VDC, and power consumption should be greater than 100W.
Indicator lights	There are two indicator lights. Power indicator is green. When the driver power on, the green light will always be lit. Fault indicator is red, when there is over-voltage or over-current fault, the red light will always be lit; after the driver fault is cleared, if re-power the red light will be off.
Installation instructions	Driver dimensions:118×75×32mm, please refer to dimensions diagram. Please leave 10CM space for heat dissipation. During installation, it should be close to the metal cabinet for heat dissipation.

Signal interface details:

The internal interface circuits of the driver are isolated by the opt coupler signals, R in the figure is an external current limiting resistor. The connection is differential. And it has a good anti-jamming performance.



common cathode connection



common anode connection

Control signal and external interface:

Signal amplitudes	External current limiting resistor R
5V	Without R
12V	680 Ω
24V	1.8K Ω

Common indicator

Phenomenon	Reason	Solution
The red indicator is on.	1. A short circuit of motor wires.	Inspect or change wires
	2. The external voltage is over or low than the driver's working voltage.	Adjust the voltage to a reasonable rang
	3. Unknown reason	Return the goods

Outline and installation size (unit: mm)

