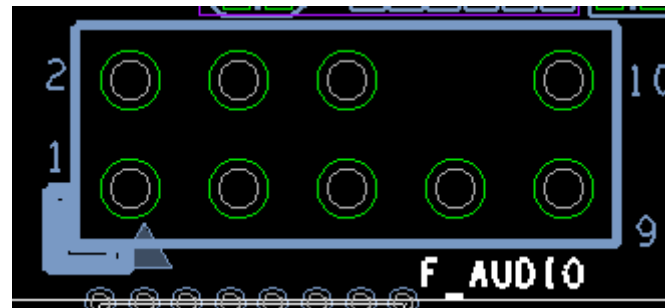
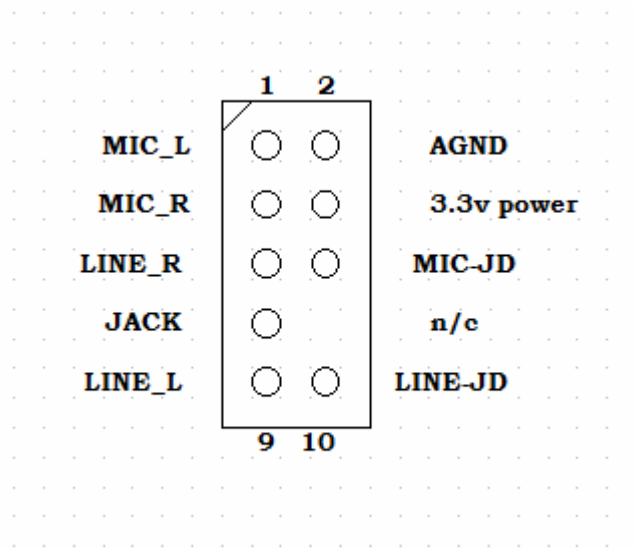


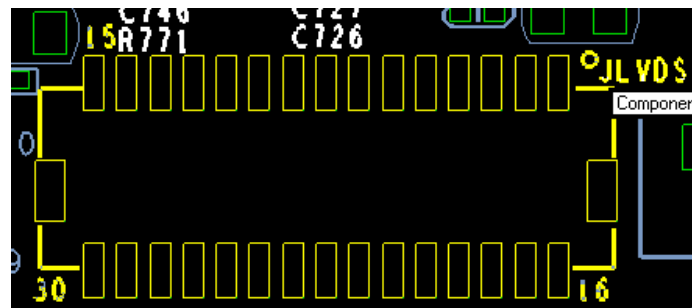
Front AUDIO Pin Definitions

Remarks: lower left quarter overstriking is curs prima



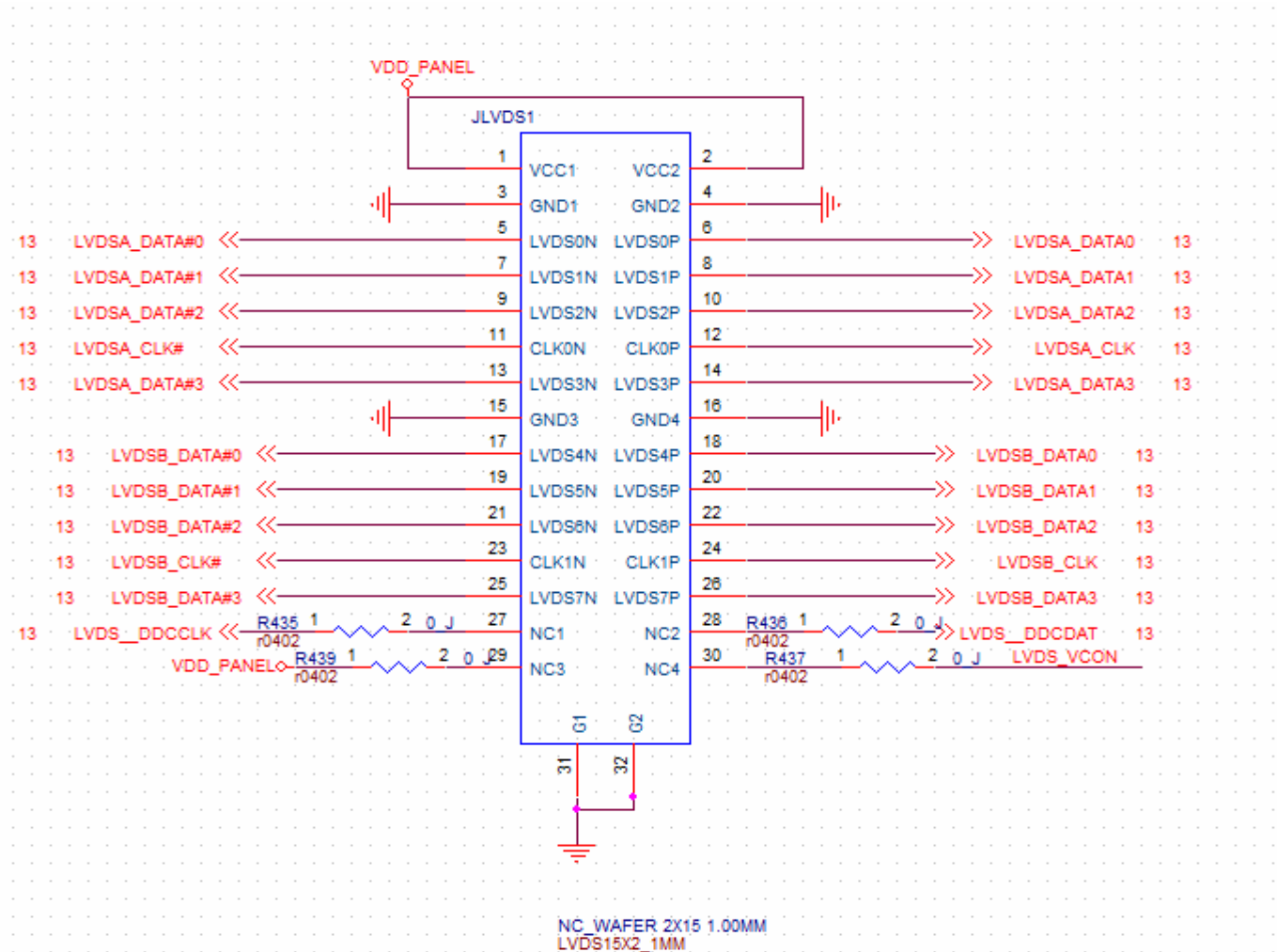
30 pin LVDS contact pin definition

Remarks: The upper right corner of the dot is first PIN



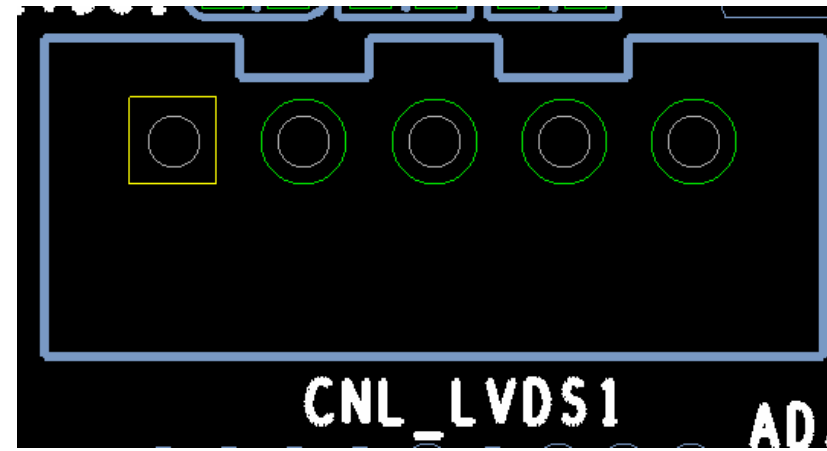
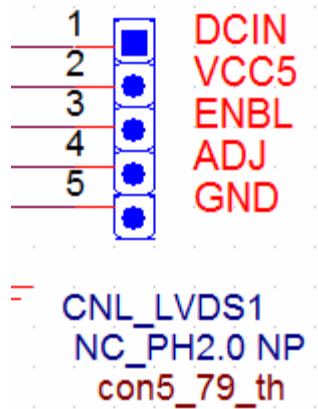
30 pin LVDS contact pin definition

Remarks: The connecting socket norm please refer to “specifications 1”



5 pin CNL_LVDS1 contact pin definition

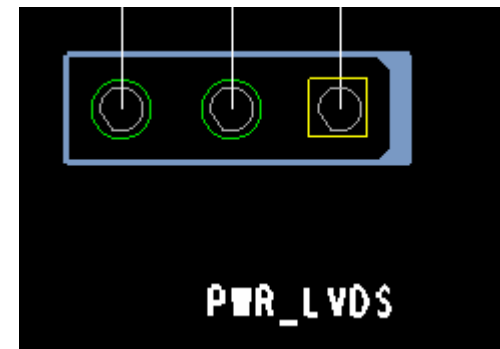
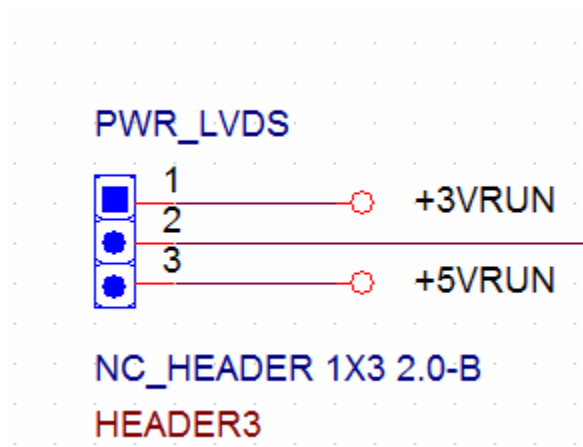
Remarks: Yellow square frame is the first PIN, connecting socket norm please refer to "specifications 2"



- 1.DCIN;12V input, 2.VCC5;5V input, 3.ENBL; Backlight control ,
- 4.ADJ; Backlight brightness control,5.GND: GND

PWR_LVDS contact pin definition

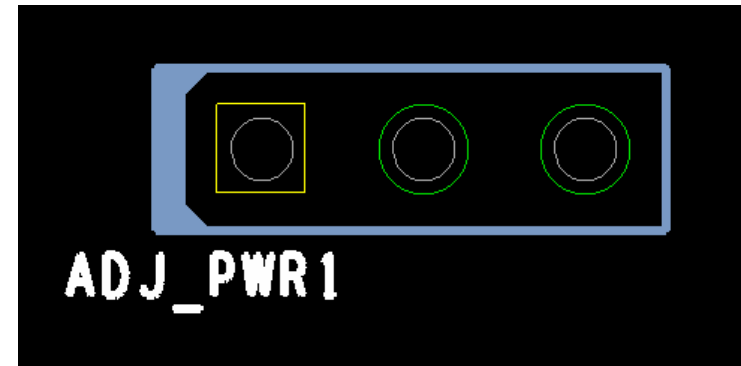
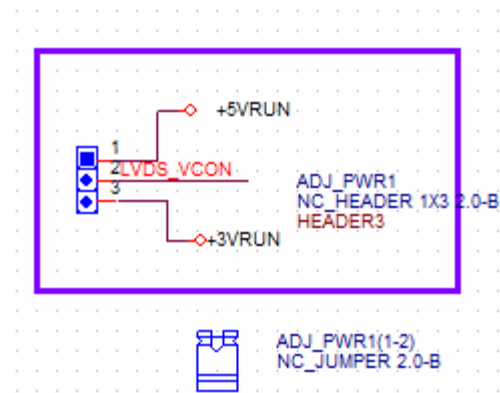
Remarks: yellow square frame is the first PIN



VDD_PANEL Selection of power supply pin 。 1-2 pin
VDD_PANEL=3.3V; 2-3 pin VDD_PANEL=5V

ADJ_PWR1 contact pin definition

Remarks: yellow square frame is the first PIN

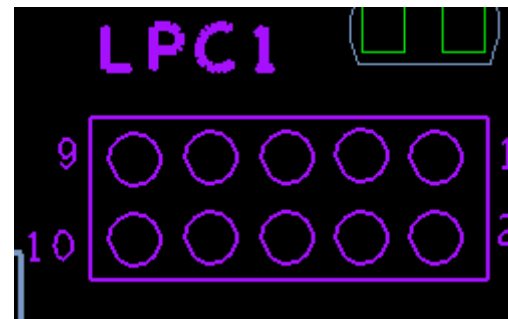
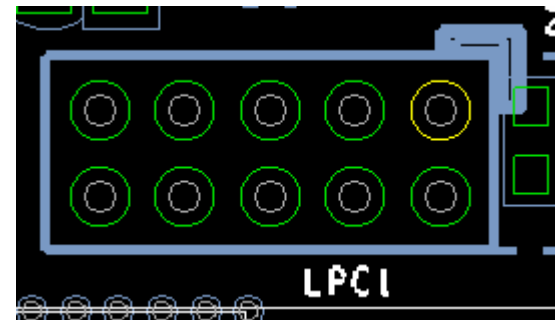


Manual Control LVDS screen Backlight brightness voltage selection。 1-2 pin ADJ_POWER=5V; 2-3 pin ADJ_POWER=3.3V

LPC1 contact pin definition

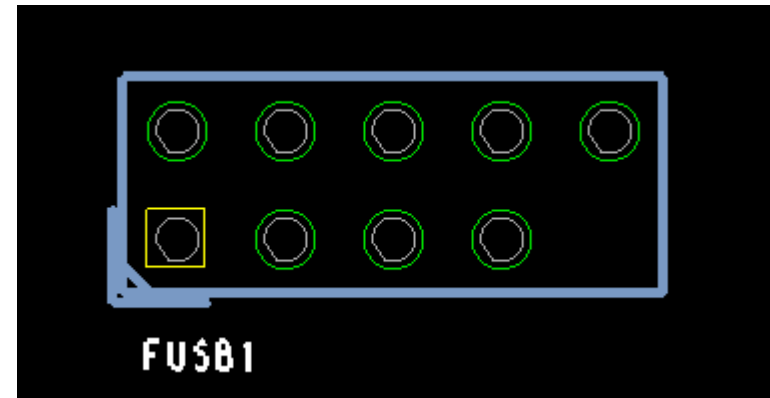
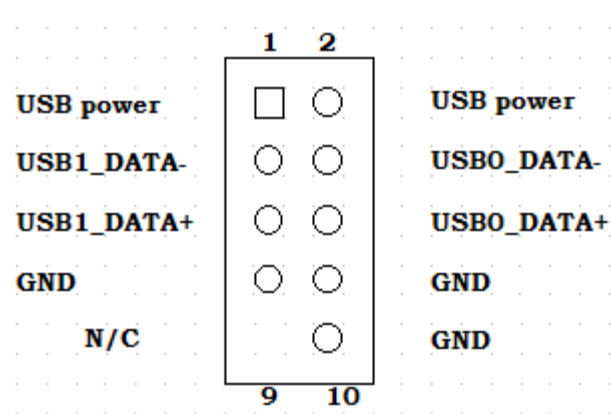
Remarks: yellow circle is the first PIN

	2	1	
LPC_FRAME#	○	◻	3.3v power
LPC_AD0	○	○	3.3v power
LPC_AD2	○	○	LPC_AD1
33MHZ_CLK	○	○	LPC_AD3
RST#	○	○	GND
	10	9	



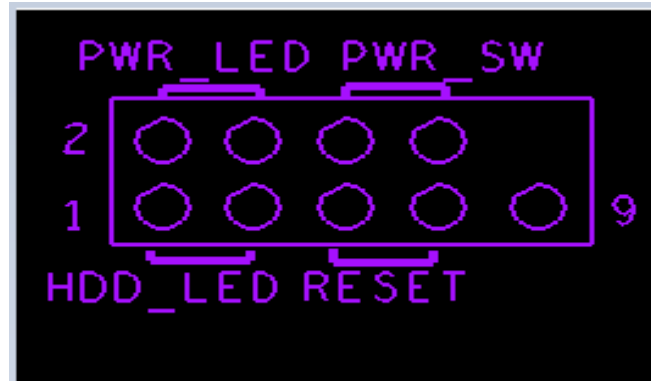
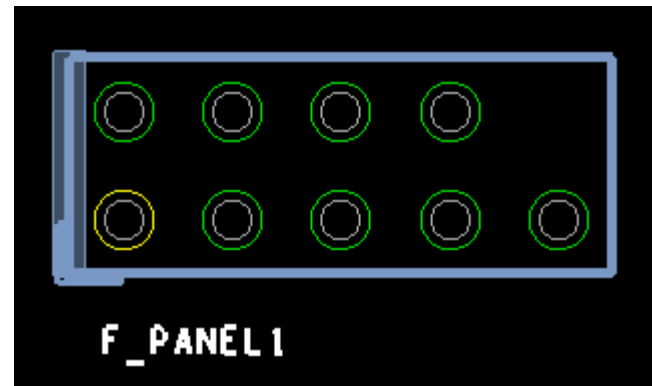
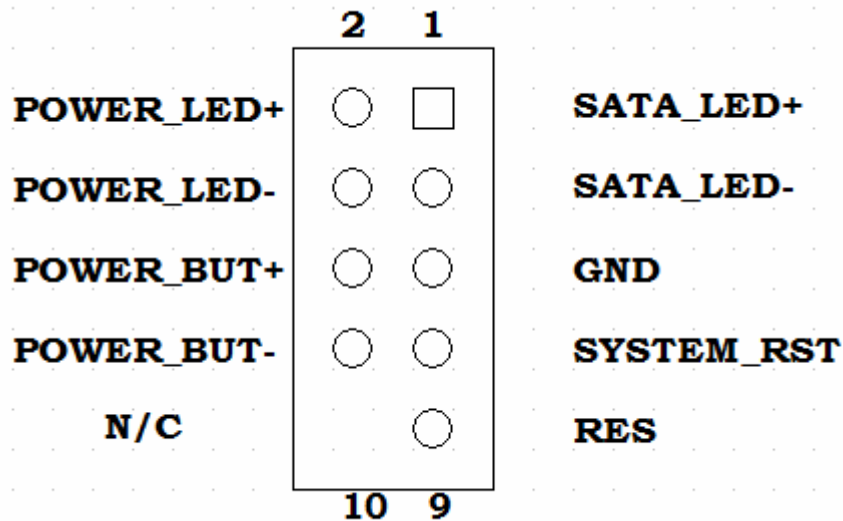
FRONT USB contact pin definition

Remarks: yellow square frame is the first PIN



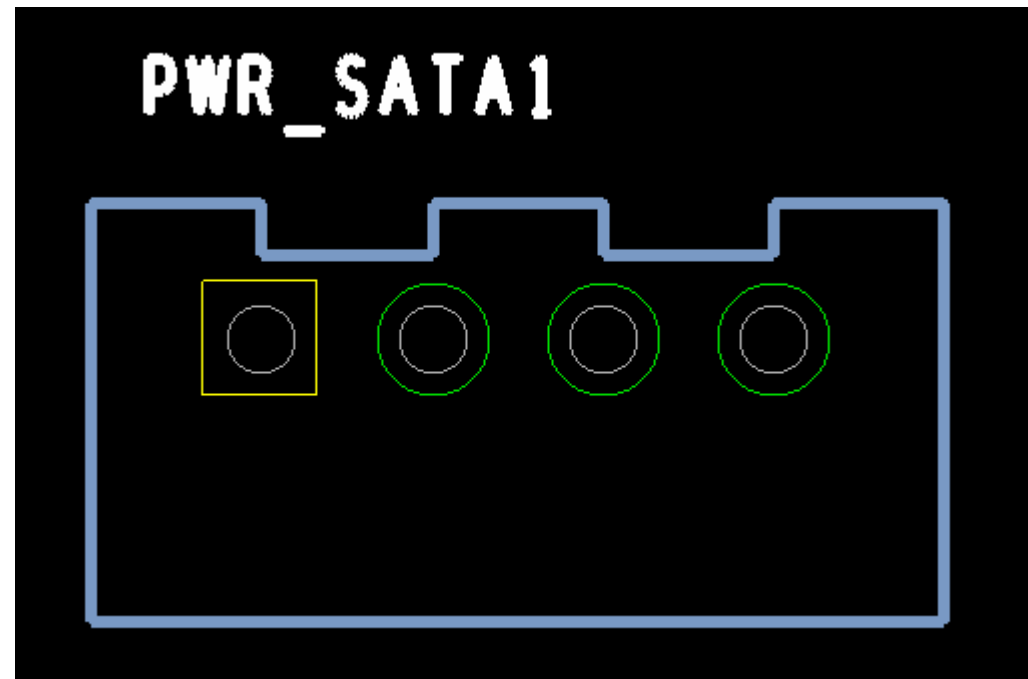
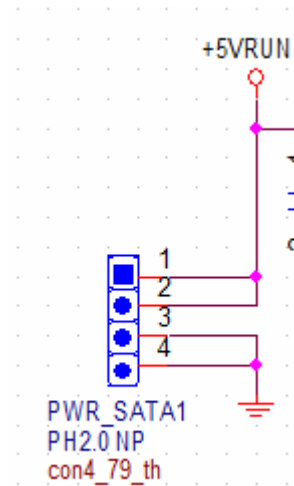
FRONT PANEL contact pin definition

Remarks: yellow circle is the first PIN



SATA POWER contact pin definition

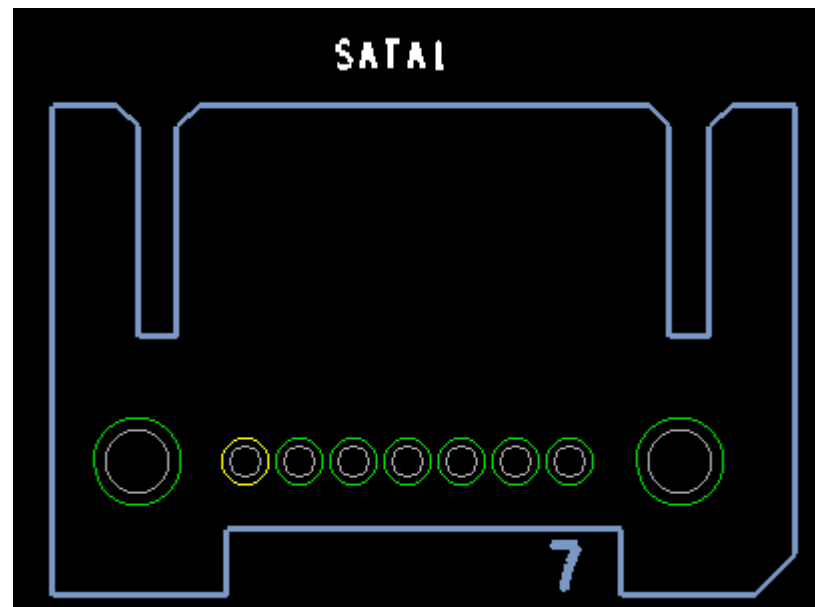
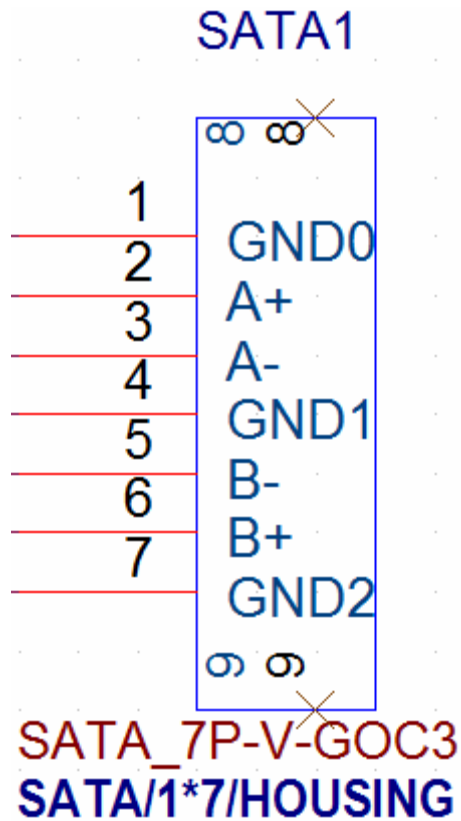
Remarks: yellow square frame is the first PIN
The connecting socket model please refer to “specifications 3”



SATA contact pin definition

Remarks: yellow circle is the first PIN

The connecting socket model please refer to “specifications 4”



VGA contact pin definition

Remarks: yellow circle is the first PIN

