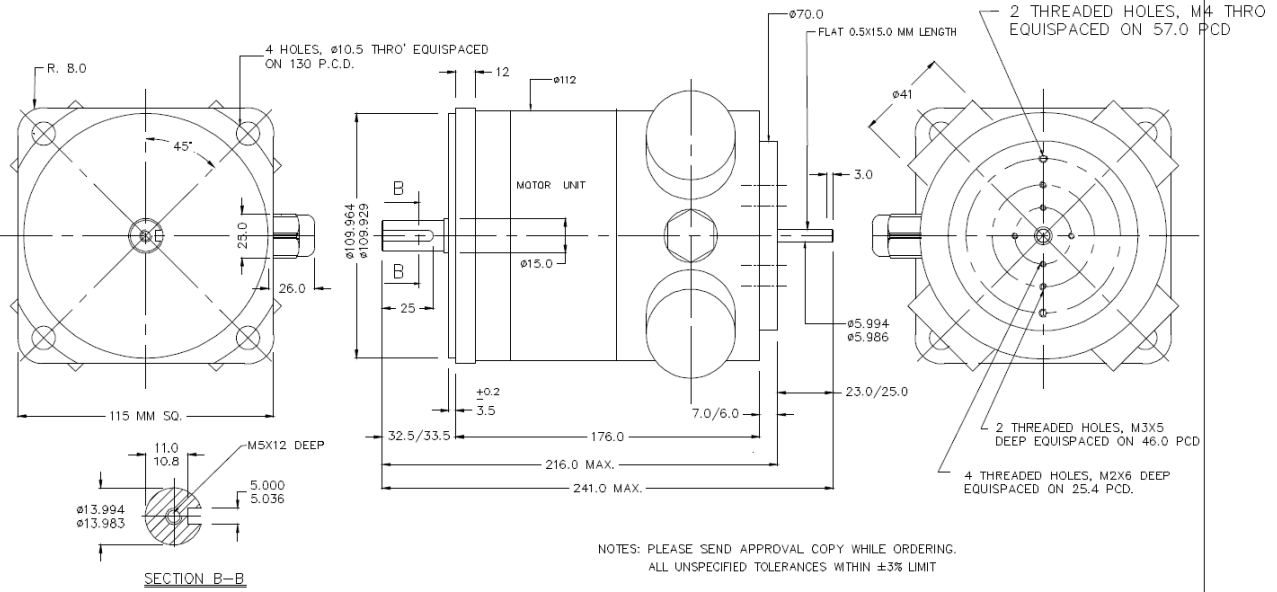


DO NOT SCALE THE DRAWING. ALL DIMENSIONS IN M.M.



				MODEL:GB	WEIGHT: 6.6 KG.	DRN.	VTK.	18-08-12	
						CKD.	SMK.	18-08-12	
						APPD.	VVH.	18-08-12	
						TITLE			SCALE:NTS.
						<p><b>OUTLINE DRAWING</b></p>			MATL:
INDEX	REVISION	DATE	SIGN						

DO NOT SCALE THE DRAWING. ALL DIMENSIONS IN M.M.

